

FIRE DETECTORS

SMOKE DETECTOR S

The smoke detector is intended for detecting fire in its early phase. The detector has an optic, scattering smoke sensor. The application of such type of a sensor allows to detect fire quick and with certainty.

The detector operates within the AWEX fire alarm system. The element can be installed on the loop addressable supervisory lines and on the side addressable line.

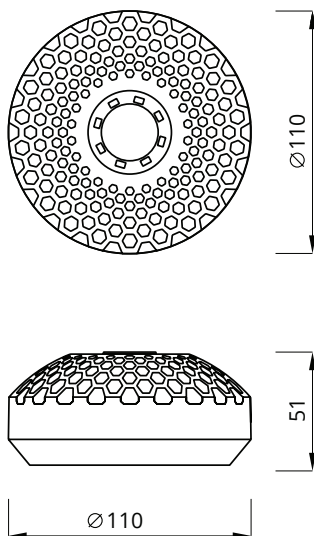
The smoke detection takes place in a detection chamber equipped with photoelectric diodes. Smoke goes to the chamber during fire. The particles of smoke reflect the light emitted by light emitting diodes which causes that an IR diode receives the signal and transmits it to a microprocessor. Then, it recognises the type of alarm and transmits it to the supervisory line, and to the control unit.



Characteristics of the smoke detector:

- The level of sensitivity comply with the EN 54 standard
- Recognition of the state of soiling
- Regulation of alarm threshold which compensates the influence of the environment
- Indication of an alarm by means of the LED diode
- Additional LED diodes for the testing state
- External status indicator
- The possibility of disconnection of particular detectors
- Integrated short-circuit isolator
- A casing with a low profile
- Operation in the addressable systems

Dimensions (mm):



TECHNICAL DATA

Name	Smoke detector S
Smoke detection	optical, scattering
Supply voltage	24V DC
Current during supervision	<160 µA
Current during alarming	<550 µA
Working temperature	from -25°C to 55°C
Tightness protection level	IP 20
Acceptable relative humidity	95% at the temp. of 35°C without condensation
Visual signalling	LED diode, red, green
Dimensions	Ø110 x 51 mm
Weight	200 g
Detector colour	White
Usefulness for test fires detecting	According to 54-7
Product code	FSD000002

S detector operation mode

